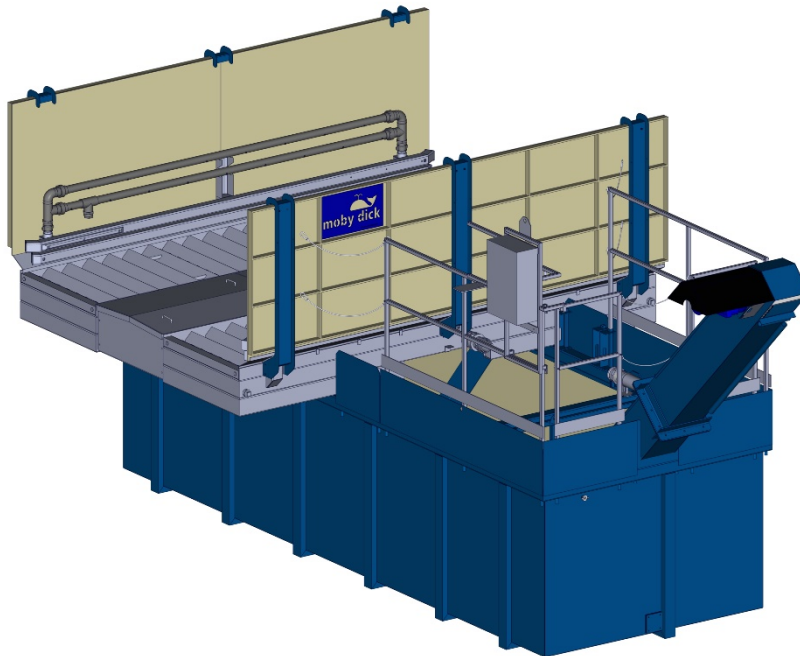


MobyDick Conline KIT Flex 400 C



Specifications*

Length of wash unit	400	cm
Clear drive through width of the wash unit (lane)	280	cm
Maximum axle load	15	t
Height of splash protection side walls	136	cm
Nozzles (Core diameter min. 7 mm)	130	Pcs.
Nozzle bars per side	2	Pcs.
Recycling tank volume	20,0	m ³
Usable volume of operating water	11,0	m ³
Sedimentation area of the recycling tank	13,0	m ²
Discharge height of scraper conveyor above ground	125	cm
Maximum pump performance	5,0	m ³ /min
Connected electrical load of the entire system	11,5	kW
Sound emission	< 75	dB

*Rights reserved for technical changes