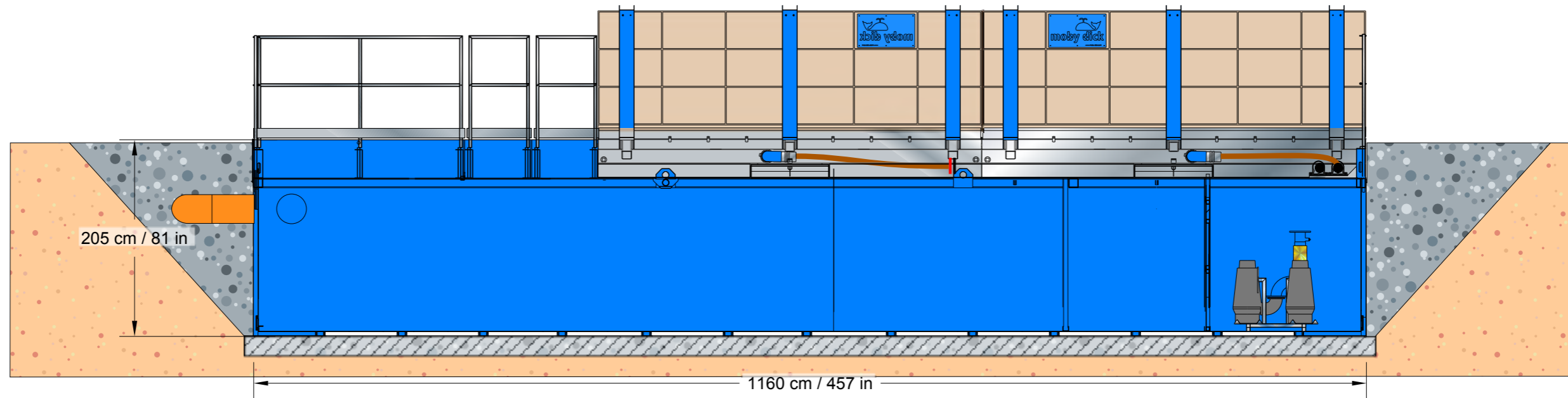
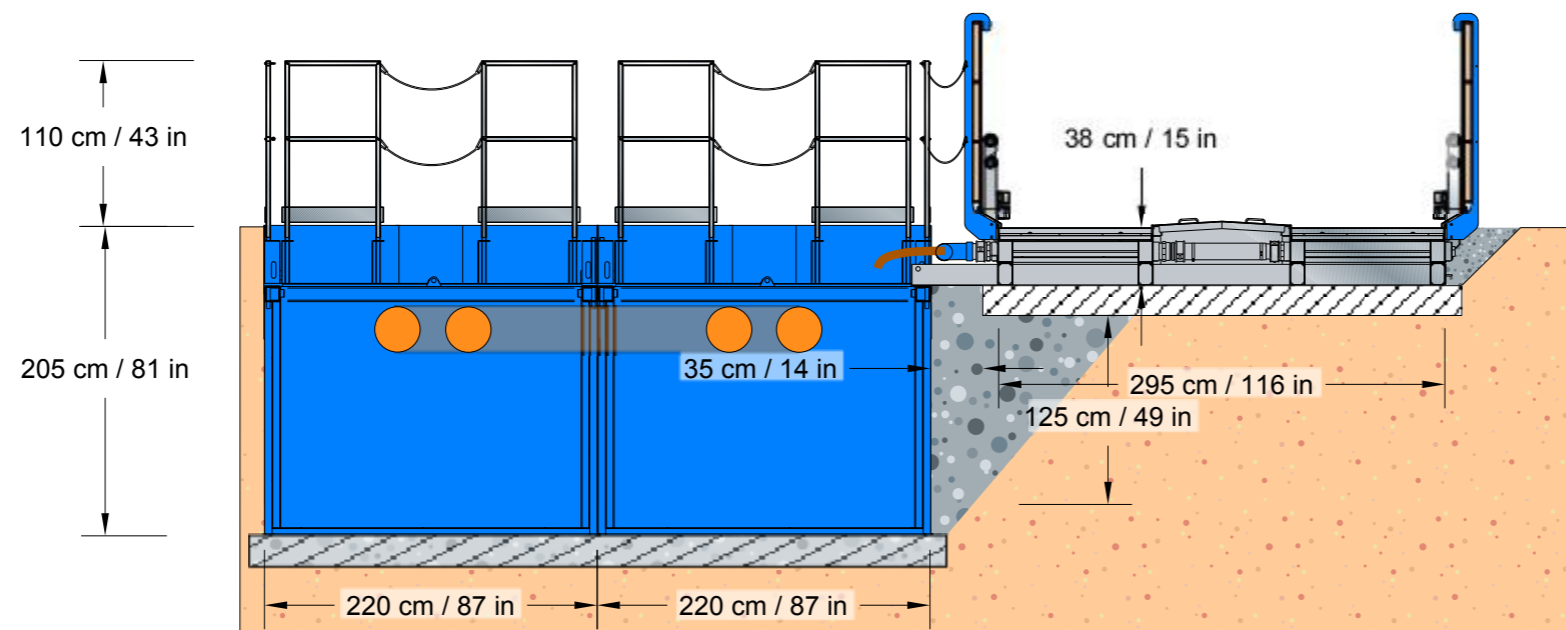


10.7.2017	V 1.0.	MoW	1 / 2
ConLine KIT Plus 800B-100P			Layout
MDK-A300-800B-100P			

SECTION A-A'



SECTION B-B'



10.7.2017	V 1.0.	MoW	2 / 2
ConLine KIT Plus 800B-100P			Layout
MDK-A300-800B-100P			

