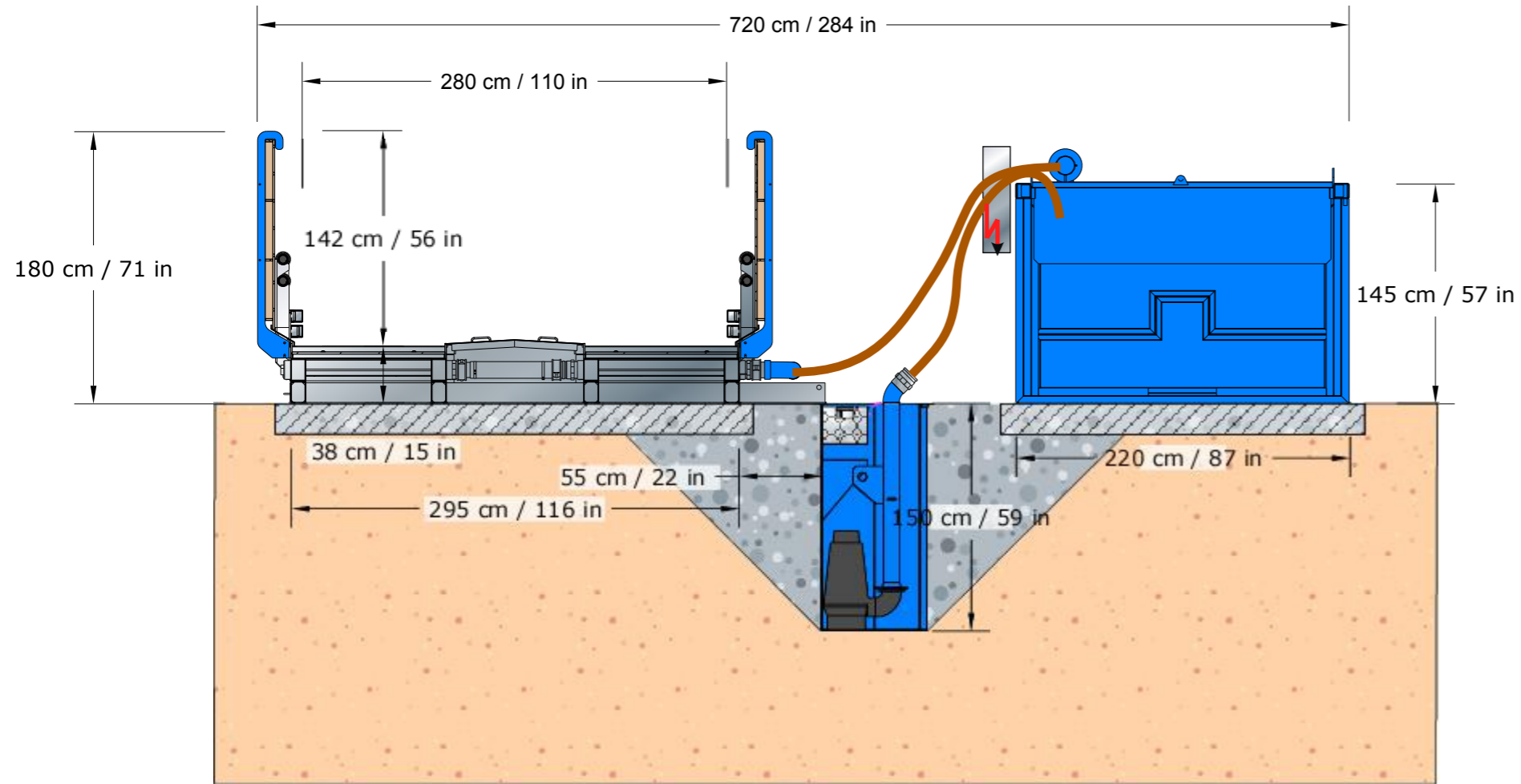
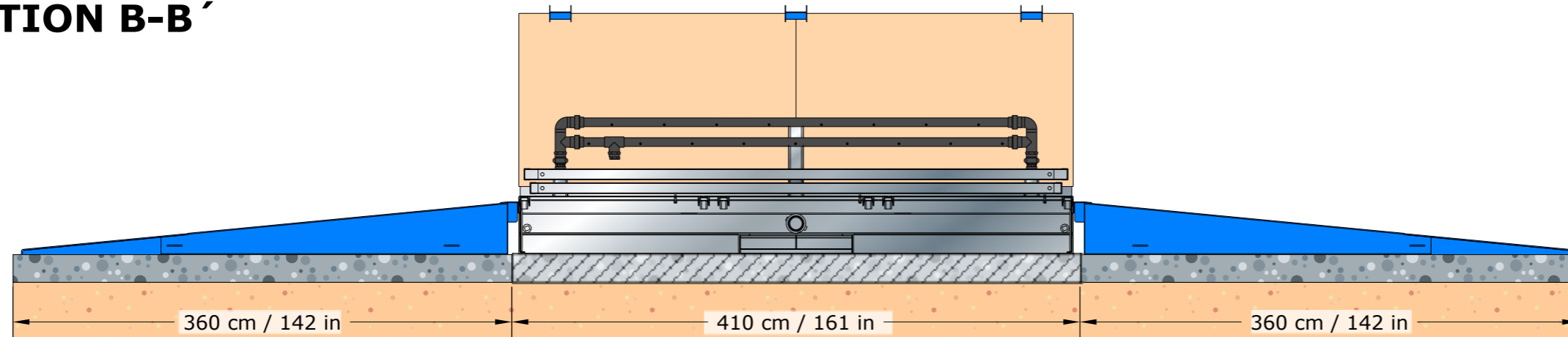


# SECTION A-A'



# SECTION B-B'



11.07.2017	V 1.0.	MoW	2 / 2
<b>ConLine Kit Flex 400MB</b>		<b>Layout</b>	
MDK-A300-400MB			
