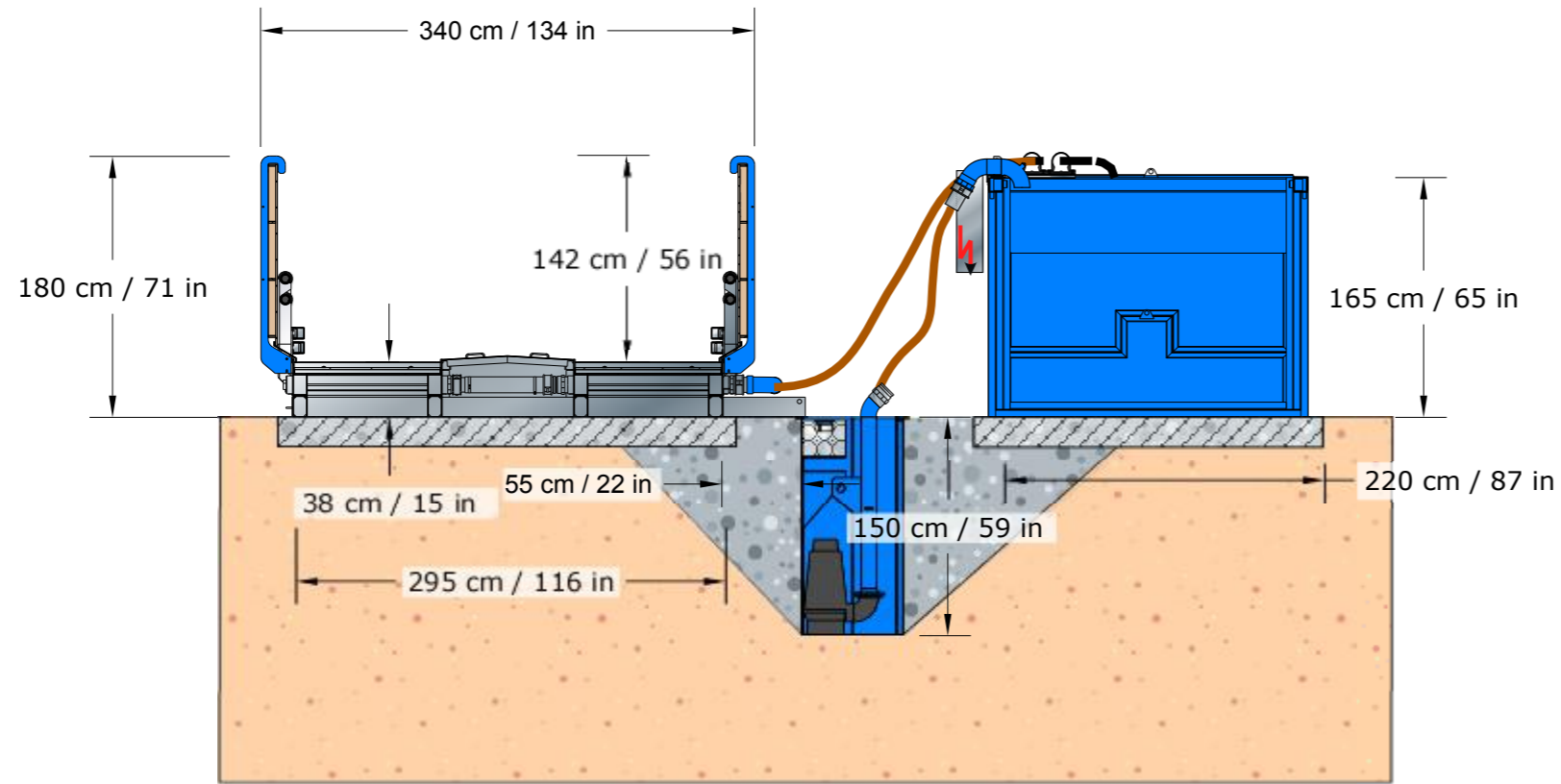


# SECTION A-A'



# SECTION B-B'

