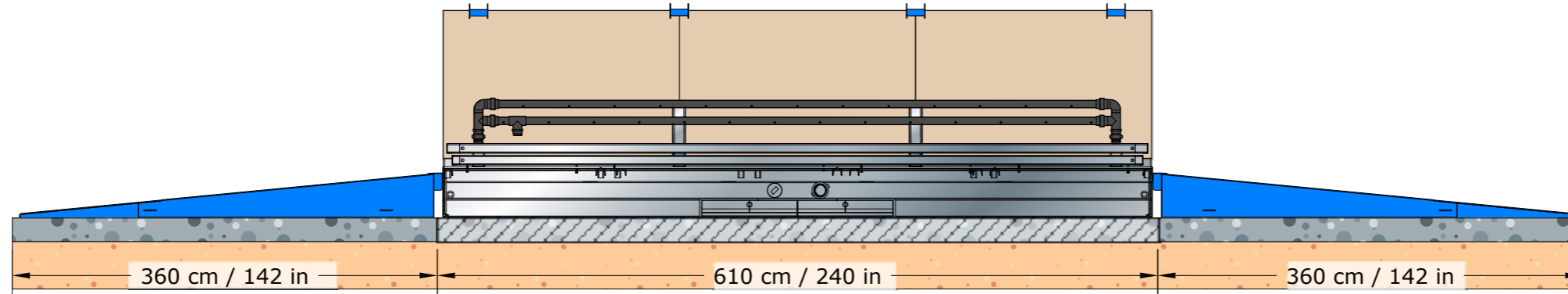


SECTION A-A'



SECTION B-B'

